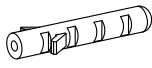
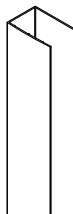
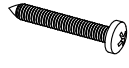
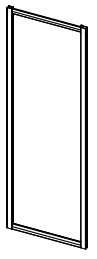

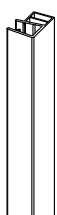
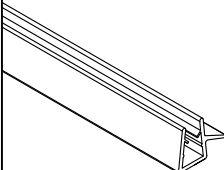
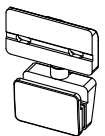

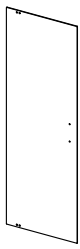
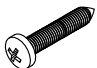
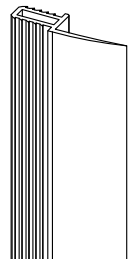
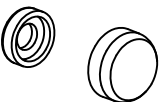
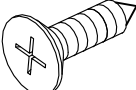
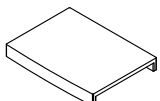

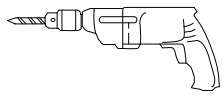
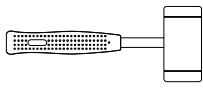
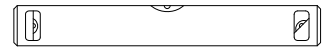


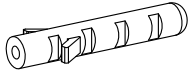
<b>1</b>  X6	<b>2</b>  X2	<b>3</b>  ST3.9X35 X6	<b>4</b>  X1
<b>5</b>  X3	<b>6</b>  X1	<b>7</b>  X2	<b>8</b>  X2
<b>9</b>  X1	<b>10</b>  X1	<b>11</b>  ST3.9X9.5 X4	<b>12</b>  X1
<b>13</b>  X6	<b>14</b>  ST3.5X10 X6	<b>15</b>  X2	<b>16</b>  X1



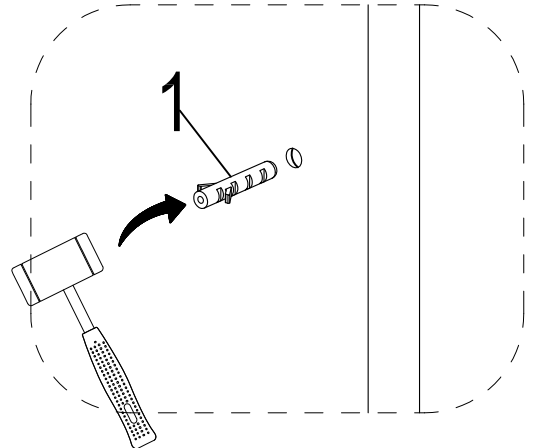
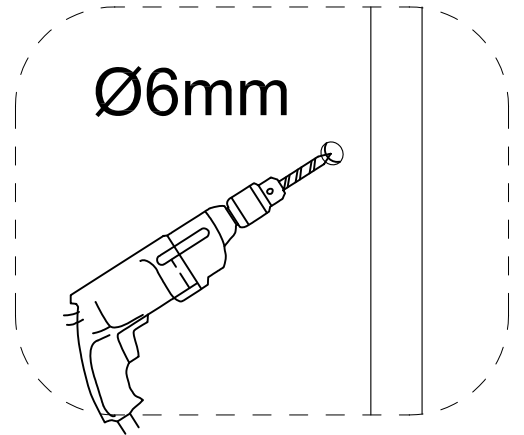
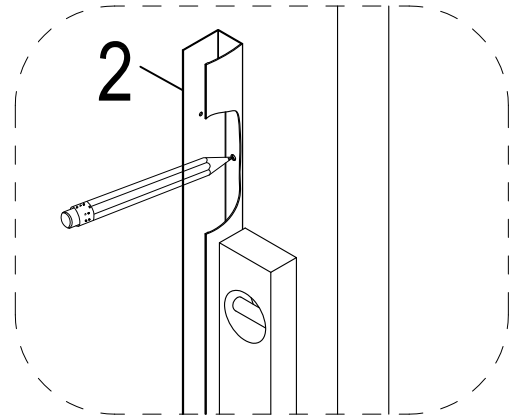
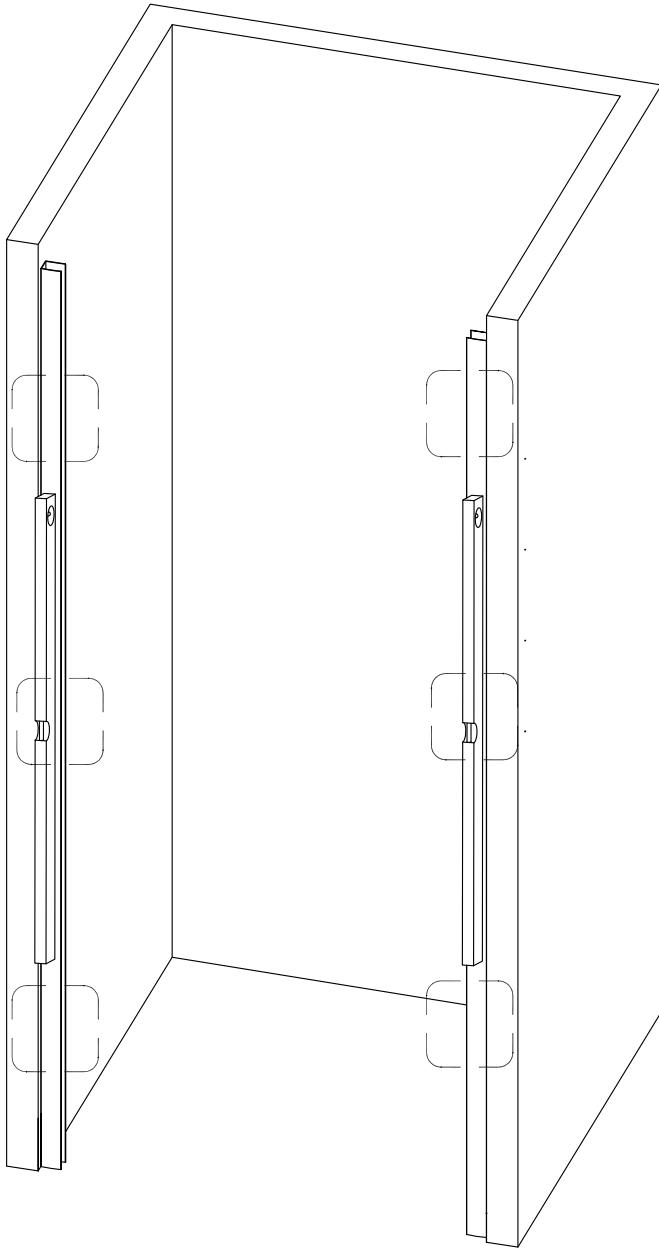
Ø6mm

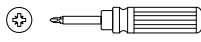


1

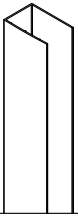


X6



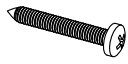


2



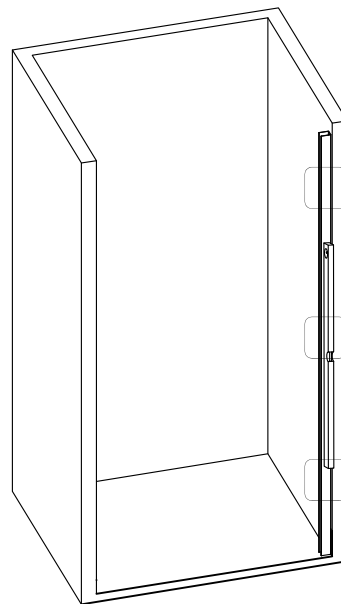
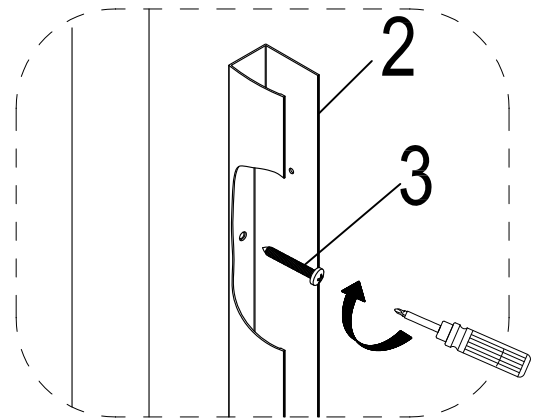
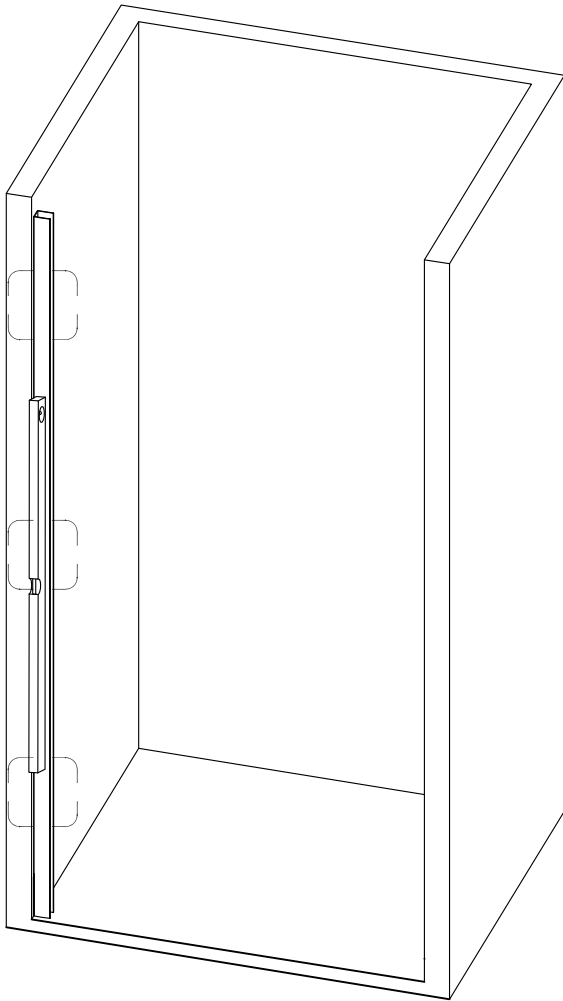
X1

3

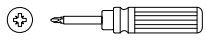


ST3.9X35

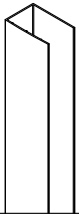
X3



5



2



X1

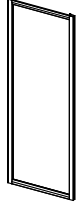
3



ST3.9X35

X3

4



X1

5

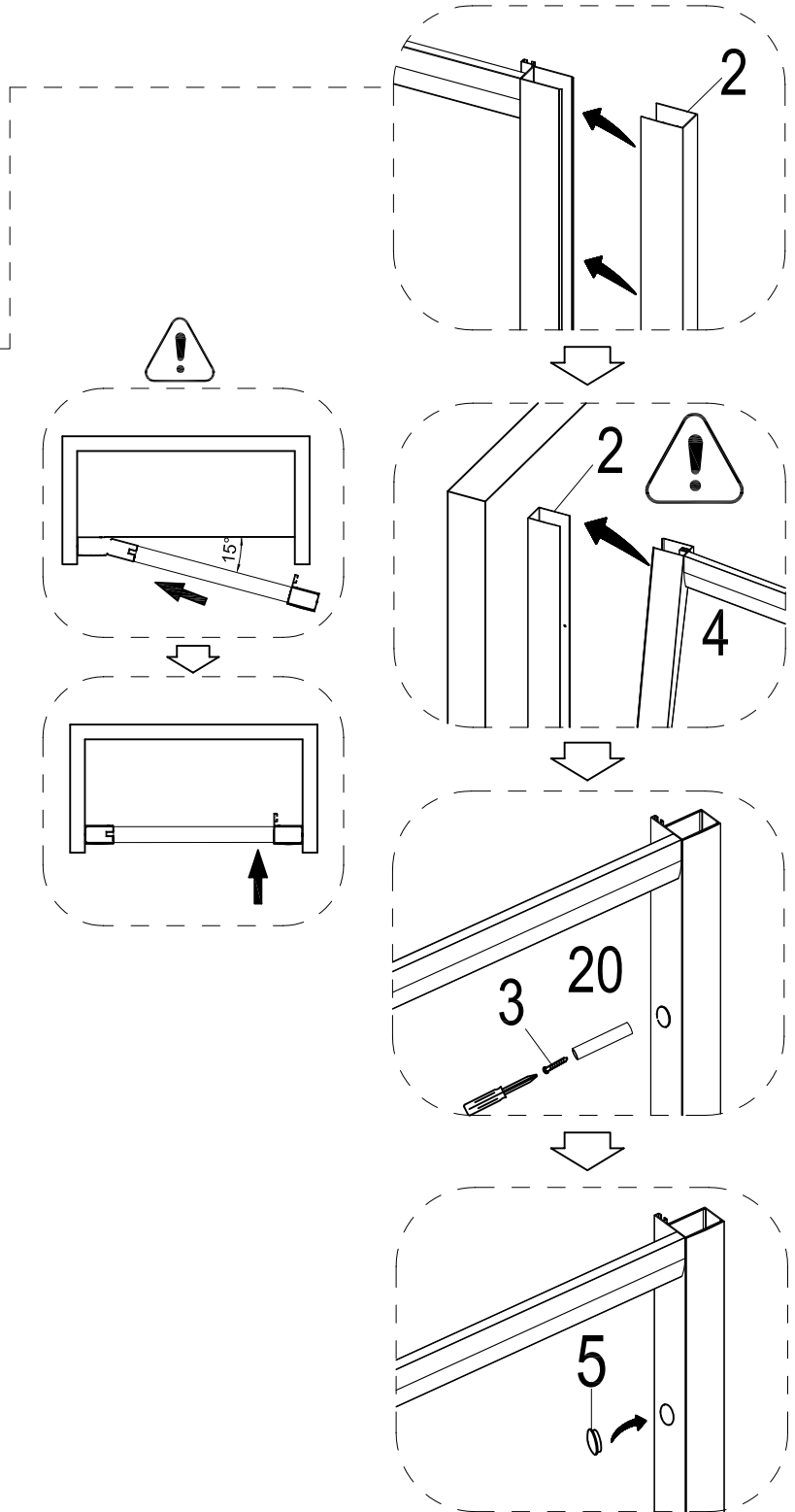
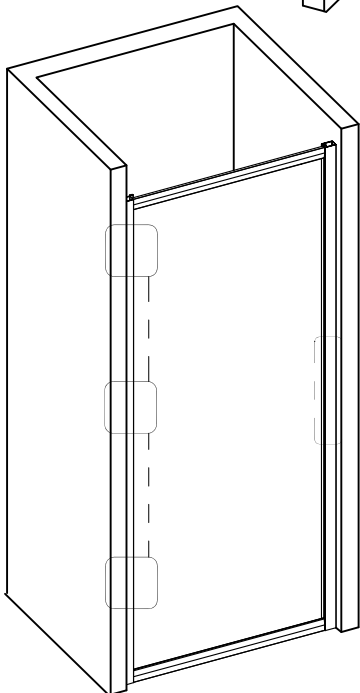
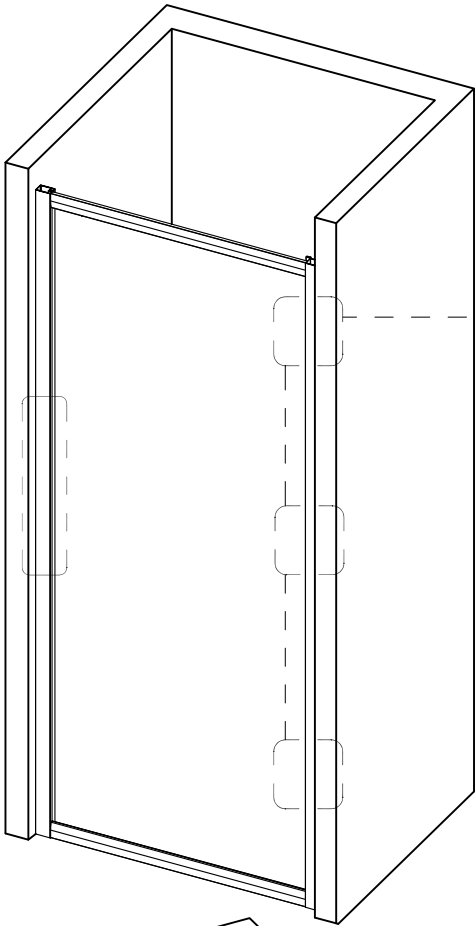


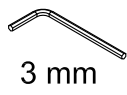
X3

20

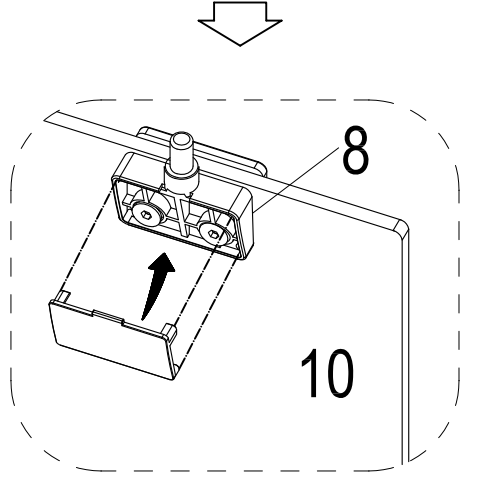
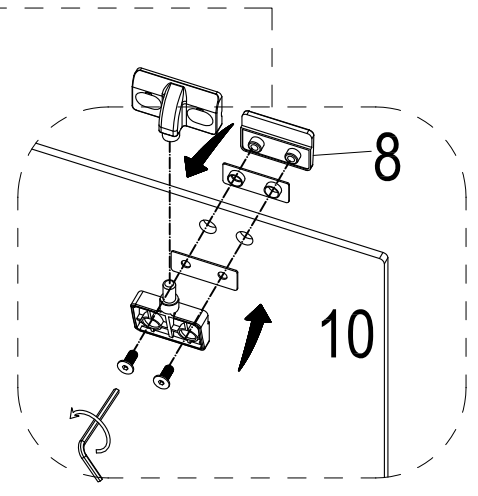
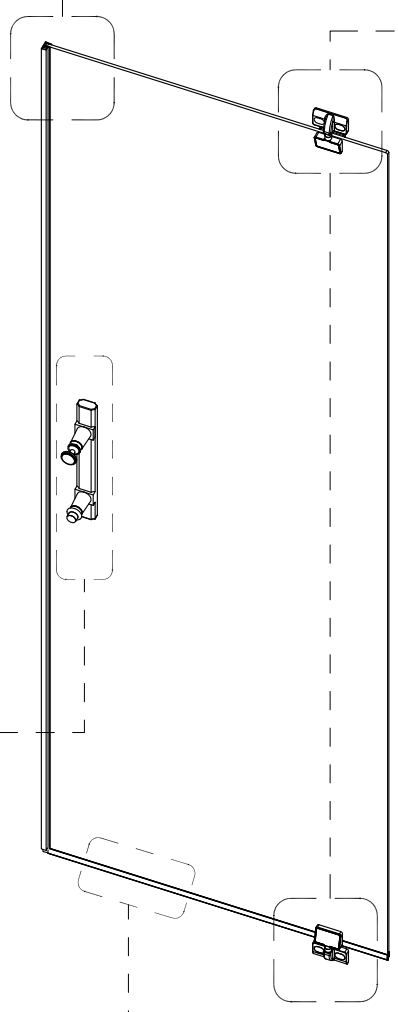
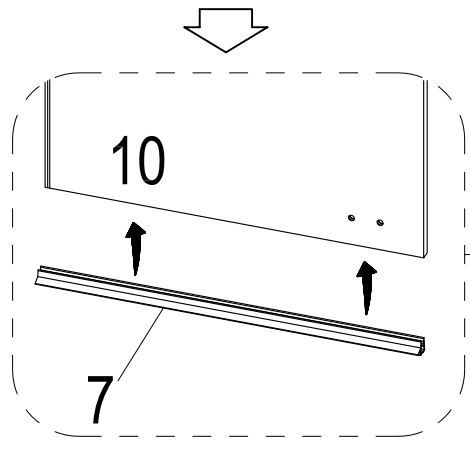
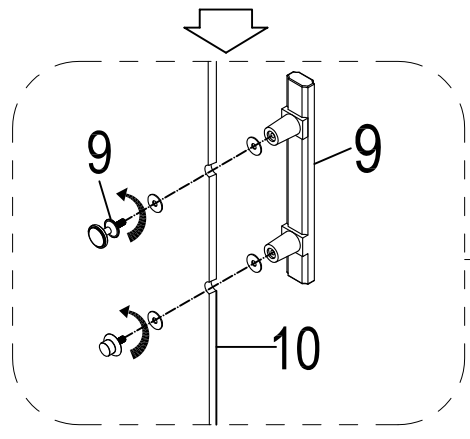
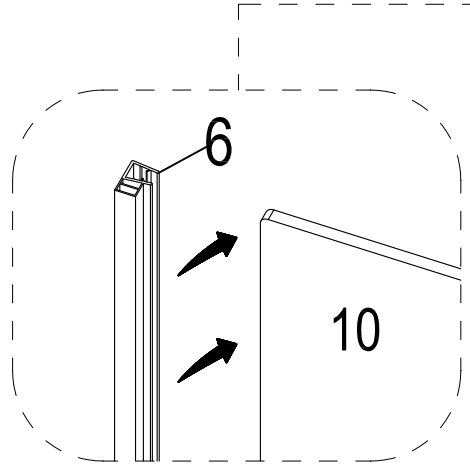
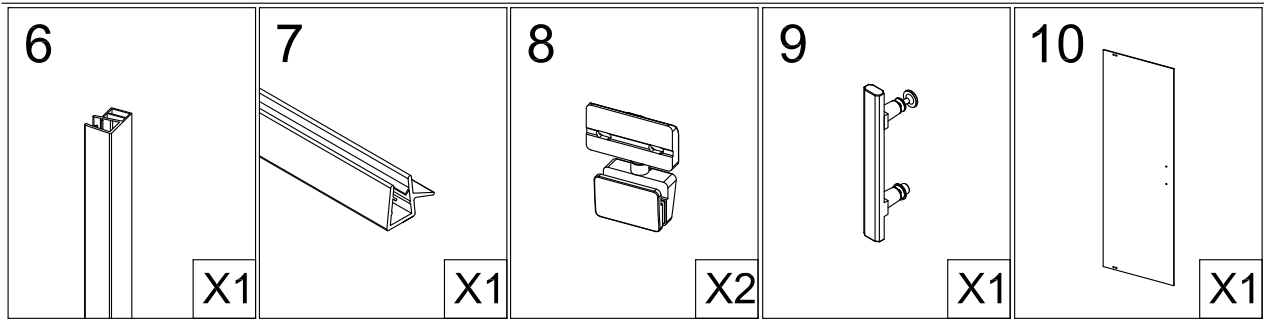


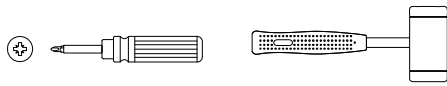
X1



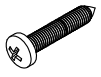


3 mm





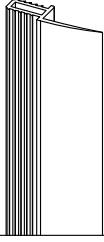
11



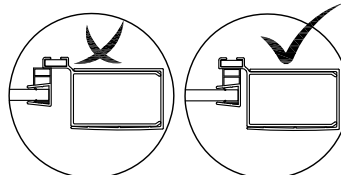
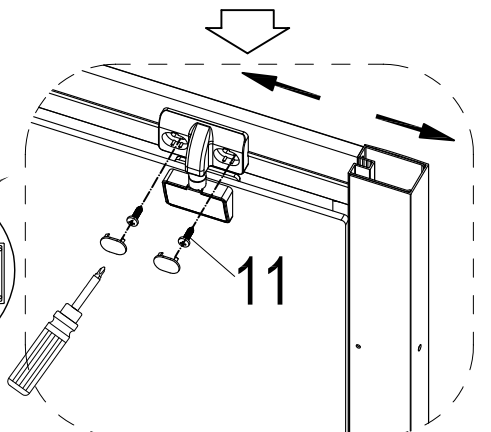
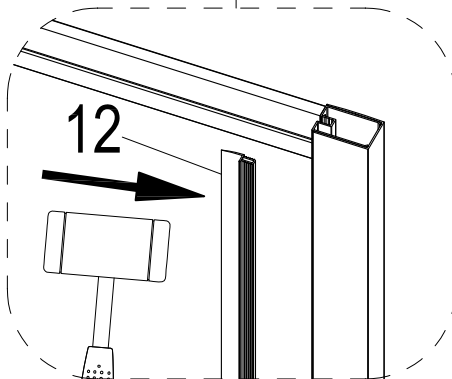
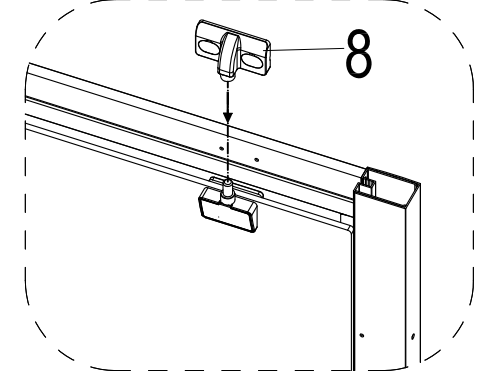
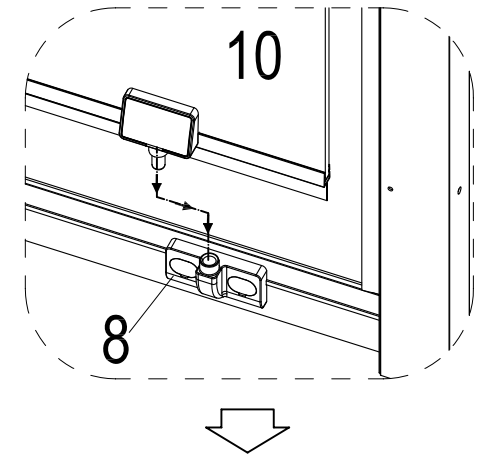
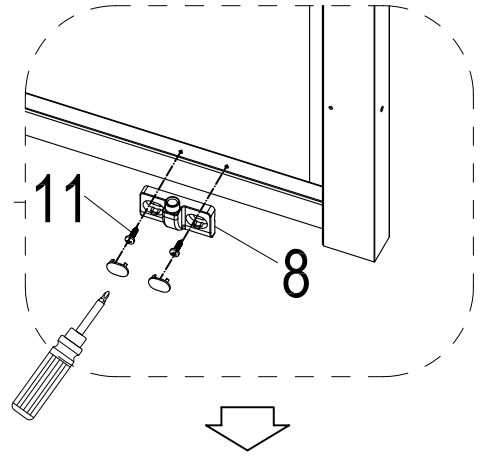
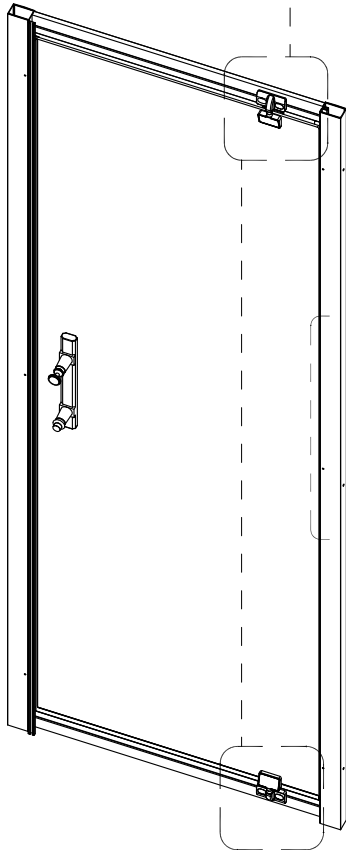
ST3.9X9.5

X4

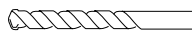
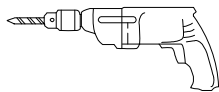
12



X1

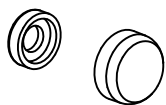




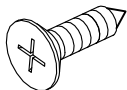


Ø2.8mm

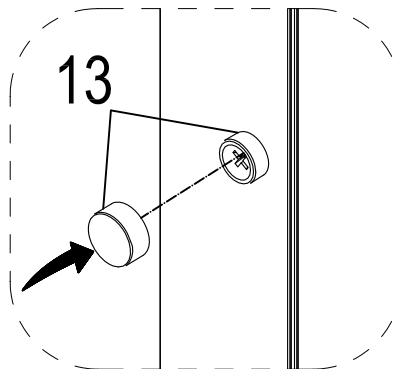
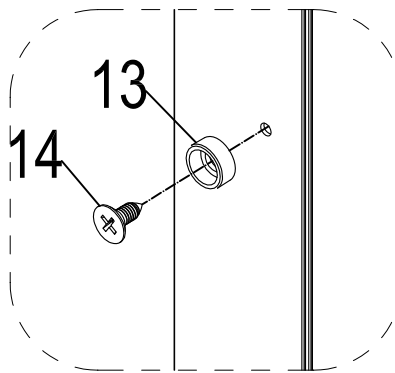
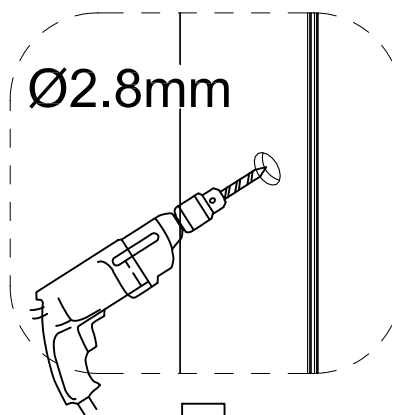
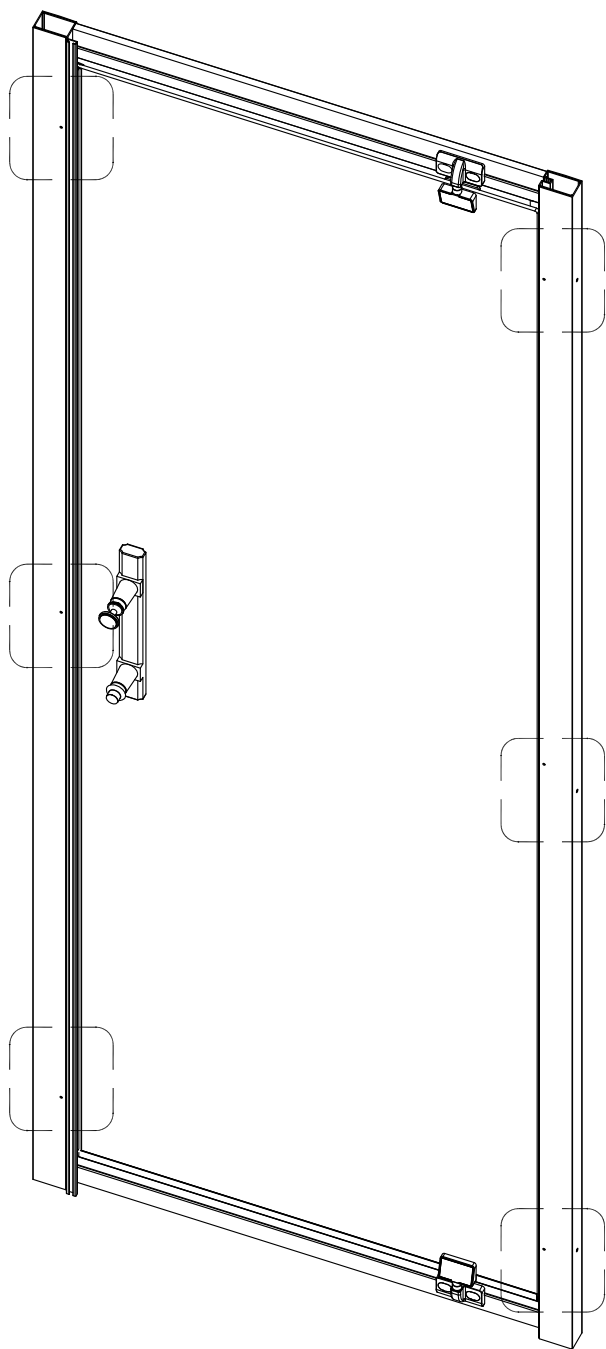
13



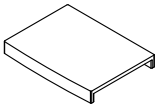
14



X6 ST3.5X10 X6



15



X2

