

ATLAS PROFESSIONAL COLLECTION

50CM URINAL PACKS - 2 BOWL

- EXPOSED PIPEWORK



*Trap not included

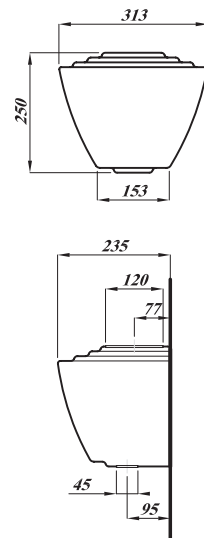
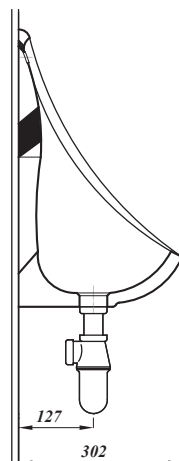
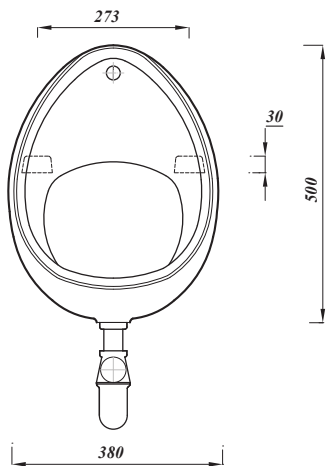
Product Code	UR50BOX2TOGO
Weight (Kg)	37.2
Material	Vitreous china & mixed plastics and metal
Colour	White & Chrome
Flushing volume (Ltr)	4.5
Flushing mechanism	Autosyphon
Standards	BS5520, BS3402, EN13407-CL2-III-4.5B
Extras	Urinal Separator - URSEP

Pack Contains:

- 2 50cm urinal & Brackets (URBOW50 & BRACK)
- Exposed pipeworks (URPW2BOW)
- Top inlet spreaders (URTIS)
- Plastic dome wastes (URDWP)
- Small header tank & fixing brackets (URCIS & BRACKSL)
- Autosyphon (ASYP140)

Description:

Pick up Urinal packs, a simple all in one urinal box set that includes everything you need for multiple urinal installations. CE Compliant, exposed inlet. For fitting instructions please email customerservice@Lecico.co.uk



All dimensions are approximate and subject to normal ceramic variation. Although every effort is made not to change the above product specification, Lecico reserve the right to do so without prior notification if necessary. Lifetime ceramic guarantee against manufacturers defects. Full information on guarantees available upon request.