

ATLAS PROFESSIONAL COLLECTION URINALS WATERLESS 50CM PACK INCLUDING WASTE KIT & BRACKETS



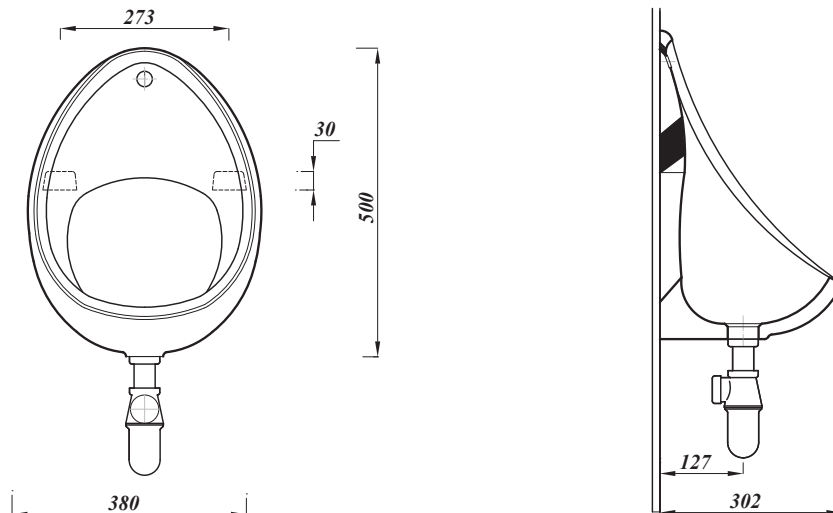
Product Code	URWALES500
Weight (Kg)	11.4
Material	Vitreous China
Waterless	Yes
Colour	White
Waste	38mm waste outlet
Extras	Replacement cartridge WLESSCART/ Urinal separator URSEP

Key features:

- CE Compliant
- Waterless
- Money saving
- Lifetime ceramic guarantee*

Description:

Waterless urinal kits help save massive amounts of water. A Single waterless urinal can save 150,000 litres every year.



All dimensions are approximate and subject to normal ceramic variation. Although every effort is made not to change the above product specification, Lecico reserve the right to do so without prior notification if necessary. *Against manufacturers defects. Full information on guarantees available upon request.