



INSTALLATION GUIDE

HINGED SQUARE BATHSCREEN

IMPORTANT

Thank you for choosing Merlyn. Please familiarise yourself with the fitting instructions before commencing fitting.

1. Check that you have the tools required.
2. Check that the installation site is compatible with size of bathscreen supplied
3. Check all the screen components.
4. Check that the installation kit is complete

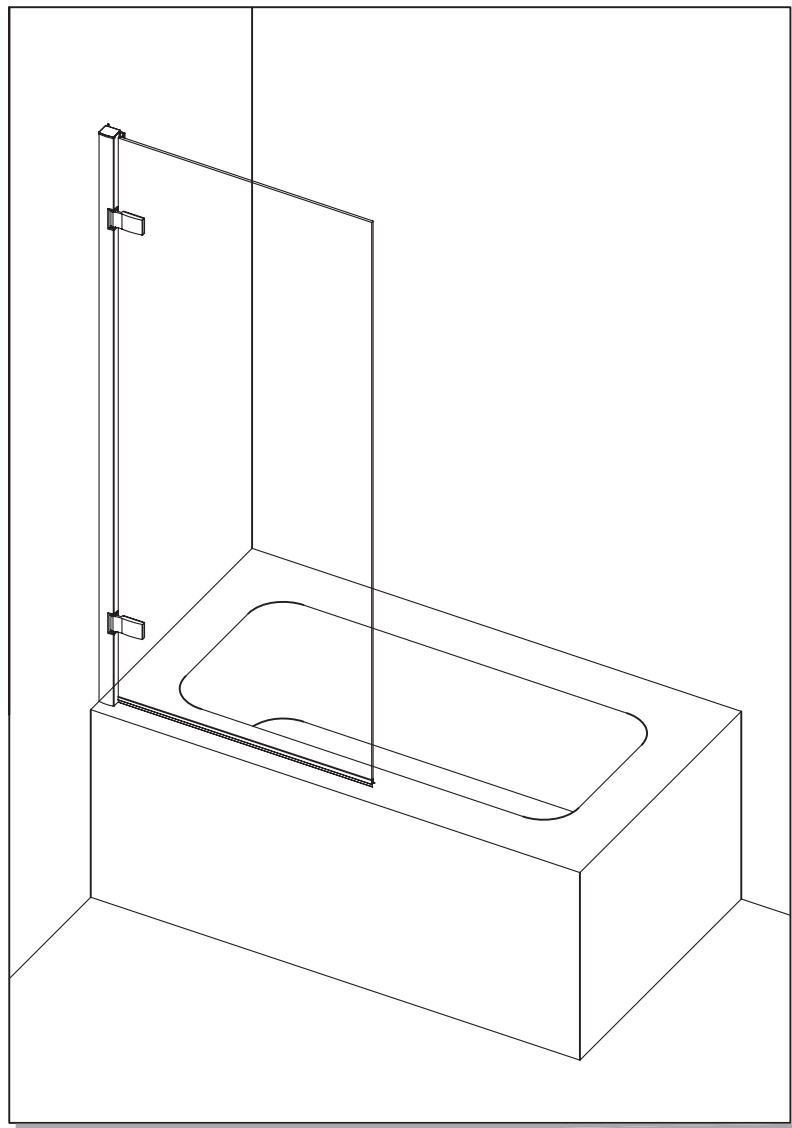
DO NOT attempt to install the product unless you can tick ALL 4 boxes as satisfactory.

The wall plugs supplied with the installation kit are for use in solid walls. Hollow or 'stud-partition' walls will require alternative fixings. Please consult a hardware supplier for the correct type.

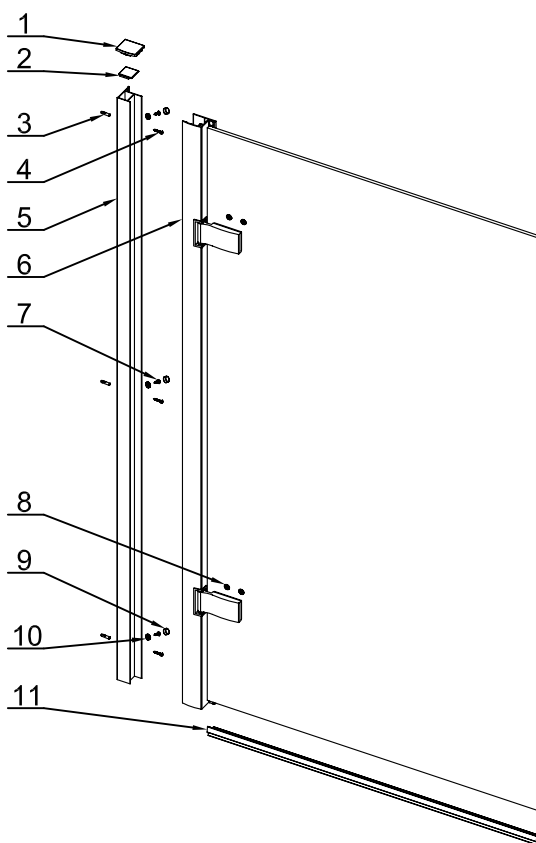
It may also be necessary to consult your tiling supplier about the correct method for drilling your tiles.

USE SAFETY EYEWEAR WHEN DRILLING

Any parts missing or damaged must be reported to your supplier within 5 days of purchase.
Inspect shower enclosure before fitting. No claims will be acceptable after product has been installed.



COMPONENTS AND BOX CONTENTS



No.	Description	QTY	Part No.
1	Top cap	2	V2102L/R
2	Universal cap	1	V2105
3	Wall plug	3	V6113
4	B head screw	3	V4111
5	Wall profile	1	MOBR001
6	Moving panel	1	
7	Flat head screw	3	V4109
8	S6P11 Countersunk screw cap	4	MOBR010
9	Cover cap	3	V2109
10	Washer	3	V2110
11	Bottom water seal	1	MOBR004
12	Ø3mm drill	1	V6115

Spare list



V2102L
x 1



V2102R
x 1



V2105
x 1



MOBR010
x 4



V6113
x 3



V2110
x 3



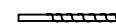
V2109
x 3



V4111
x 3



V4109
x 3



V6115
x 1

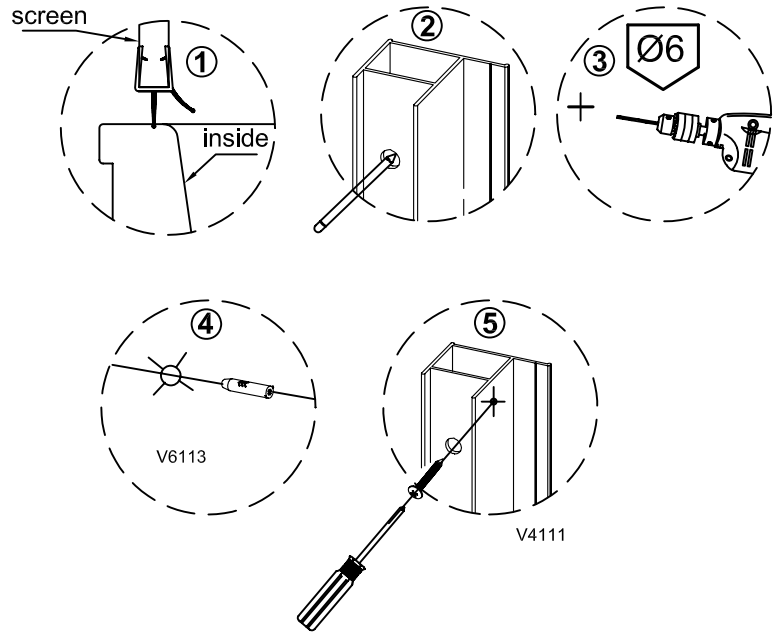
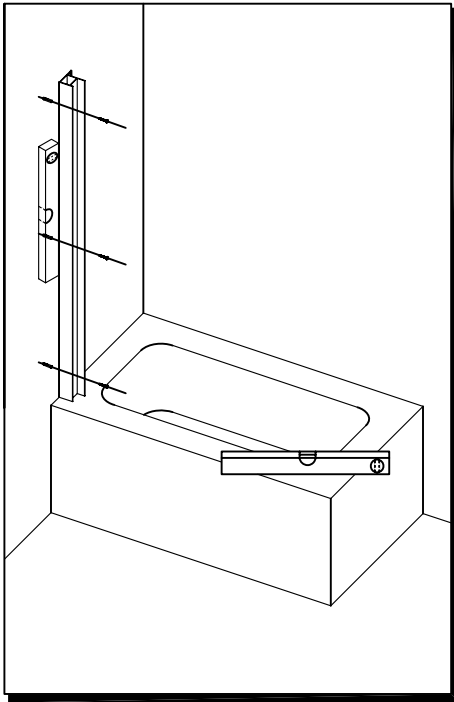
Tools required

- 6mm Masonry drill bit
- Power drill
- Quality silicone
- Pencil
- Tape Measure
- #2 Philips Head screw driver
- Spirit level with horizontal and vertical level indicators

IMPORTANT - Installation site

1. Ensure the top surface of the bath on which the screen will be installed is level in every direction.
2. The tiling or other wall finishing should be effectively sealed at the bath edges.
3. Tiles should extend at least to the corners of the bath and a minimum of 1.6 meters from the top of the bath.

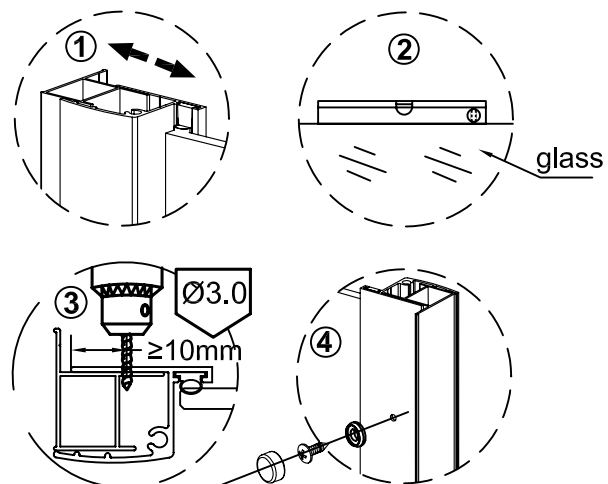
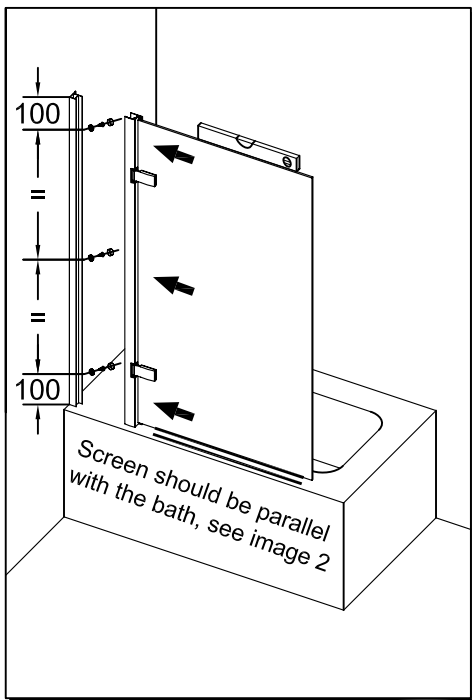
Step 1



Step 1.

Position the wall profile so the seal on the moving panel sits over the inside edge of the bath screen.
Fix wall profile using screw V4111.

Step 2



TIP: To ensure correct gap fit seal as in step 3A first.

Step 2.

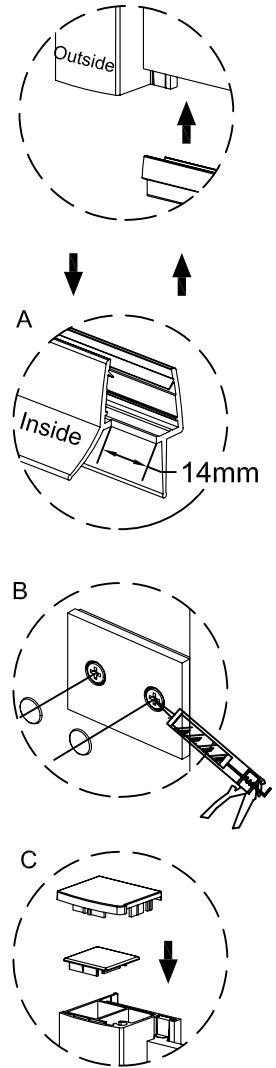
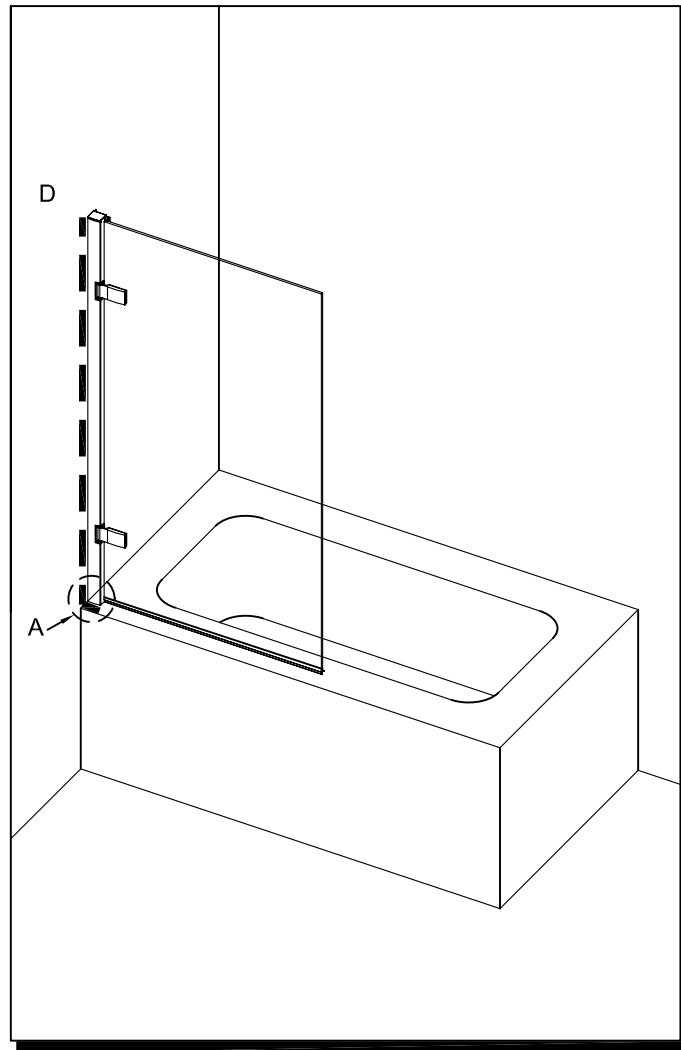
Insert glass panel to the fixed wall profile. Adjust the bottom edge of bathscreen parallel with bathtub by adjusting wall profile and glass panel. Ensure they are parallel then drill 3mm holes on the overlap of wall profile and upright profile, fix them tightly with 4*12 screw, fit the cover cap.

Step 3

24 HRS



DO NOT use the enclosure for 24 hrs after sealing.



Step 3.

- A. Fitting bottom water seal. Cut a notch to inside at the end which meets the wall profile, fit water seal to the bottom of glass panel.
- B. Fit cover screw cap to the hinges, add dab of silicone to back of cover cap.
- C. Fit top cap to the top of wall profile, fit V2105 first, and then cover the S6P08(L/R) as picture show. Put dab of silicone to bottom of cover caps to hold in place.
- D. Seal outside of screen along red line.

For any further information please visit our website,
www.merlynshowering.com