

FITTING INSTRUCTIONS - WOOD FLOOR

STANDARD FIT

FLUSH FIT

WET ROOM

CONTENTS

*Important Information - See Below - Please Read First Prior To Installation

- Standard Fit 1 - 6
- Flush Fit 7 - 10
- Off The Floor Plinth 11
- Wet Room 12
- Doors/Screens And Shower Heads 13

STEPS

1 - STANDARD FIT - STEPS 1-6

1

Take care to avoid chipping on bottom edges/corners when moving the tray into position.

Placing the tray in position, mark the floor boards by drawing around the tray. Mark out the center of the waste hole.

Move the tray to a safe location to prevent accidental damage.

2

Template supplied

It is recommended that a professional plumber completes the plumbing installation.

It is essential to use the template supplied to mark out the waste hole.

Lift the floor boards to plumb the waste and trap (see 'Template and Waste Guides').

3

It is essential that the floor boards are properly secured, ensuring no movement or flex. Any joints in the floor boards that are not supported by a joist must be supported by separate noggins. Any floor boards that show flexing between joints MUST also be supported by additional noggins.

Ensure that floorboards around the waste hole are fully supported by noggins. There must be no floor movement around the cut hole.

Re-fit the lifted floor area. Secure all the floor boards under the tray with two wood screws at every point they cross a joist or a noggin.

4

Prior to mixing sand and cement, sweep clear the area.

Ensure no gaps between floor boards. All gaps should be sealed with joint tape or similar.

Mix sand and cement (5/1 ratio) adding anti-cracking agent, such as 'Fibermix' and spread to fill entire marked area with approximately 10-15mm mortar screed.

Ensure that the whole area under the tray is fully covered by the mortar screed. Any unsupported area could lead to cracking.

5

24 HOURS DRYING TIME

Ensure to level the tray on all outer edges.

Apply a bead of silicone along the centre of each edge of the tray to be fitted against the walls.

Lay the tray in position, push against the wall and bed down onto the mortar screed. Ensure all of the base is supported by the cement. Level the tray from each edge.

Leave for 24 hours prior to next step.

6

It is recommended that a professional plumber completes the plumbing installation (see 6i) - refer to 'Template and Waste Guides' provided.

The walls down to the tray, leaving a 5mm gap between the tray and the wall (see 6ii).

Apply a bead of mould resistant silicone resistant between the floor and tray and along the back edge of the tray up to the bottom of the last tile (see 6ii).

Finally, fit your chosen flooring (as appropriate) and apply a bead of mould resistant silicone between the shower tray and your chosen floor (see 9 for guidance).

STANDARD FIT

FLUSH FIT

7 - FLUSH FIT - STEPS 7-10

7

Finely install tray as per steps 1-6

Secure down marine ply onto the floor boards ensure it is the appropriate thickness so the fitting fits flush with the edge of the tray. Apply silicone between the marine ply and tray, also approximately 6" along any joint that meets the tray edge(s).

8

Finish tiling ensuring a flush finish with the shower tray. Ensure that waterproof adhesive and grouting are used. Do not grout between the shower tray and adjacent tiles.

9

Ensure all edges are siliconed properly.

Apply a bead of mould resistant silicone between the shower tray and adjacent tiles.

10

Waste cover is designed to be easily removed allowing access to waste trap.

Place the waste cover into the tray (do not use any adhesive).

Fit shower door/screen and shower head as per diagram 13.

*IMPORTANT INFORMATION - PLEASE READ FIRST

- This tray is handmade from natural materials. It is possible it may not be perfectly flat (approx 4mm tolerance) or may vary in thickness.
- Check the product thoroughly prior to fitting. Unfortunately no claims for imperfections can be made once the tray has been installed.
- The tray must be fitted STRICTLY in accordance with the installation instructions. Failure to fit and maintain the product as per the instructions will invalidate the guarantee and possibly lead to long term damage.
- The use of any materials other than those specified in the fitting instructions could result in the shower tray to fail, invalidating the guarantee.
- FIT ONLY the waste unit supplied. Fitting any other waste unit may lead to a reduction in water flow.
- This shower tray and waste unit combine to achieve European EN1274 approval for water drainage. They are designed to provide a water flow of over 20 litres per minute. Failure to fit the waste unit provided exactly in accordance with the fitting instructions (see enclosed within the 'Information Pack') may reduce water flow and create drainage problems.
- For clearing information refer to the 'Cleaning and Maintenance' section of the accompanying 'Information Pack'.
- There should be no movement in any wooden surface supporting the tray (see fig 3 - Wooden Floor Installation). Any movement should be prevented by adding noggins between floor joists where necessary. Any movement beneath the tray will eventually lead to cracking and will invalidate the guarantee.
- If this product has been fitted as part of a wet room, see 12. If it has been fitted as part of an enclosure, see 13 for help with the location of the shower head and glass screens.
- Do not allow any items such as tissues, sponges etc., to obstruct the waste cover during showering. This could lead to overflowing.

11 - OFF THE FLOOR PLINTH

11

Instructions 1-11 cover all showering applications which include a shower door or screen.

If your tray has been purchased to be fitted as part of a wet room area with no surrounding glass, the following instructions apply:

Fit your tray in accordance with the 'Standard Fit' instructions (above steps 1-6) and in conjunction, incorporate a proprietary wet room tanking system.

See your retailer/installer for full details.

For more problematic plumbing situations, a comprehensive 'Fitting Kit' is available. This raises the tray off of the floor to provide a simpler plumbing solution. For further details, see your retailer or installer.

12 - WET ROOM APPLICATION

12

Instructions 1-11 cover all showering applications which include a shower door or screen.

If your tray has been purchased to be fitted as part of a wet room area with no surrounding glass, the following instructions apply:

Fit your tray in accordance with the 'Standard Fit' instructions (above steps 1-6) and in conjunction, incorporate a proprietary wet room tanking system.

See your retailer/installer for full details.

13 - DOORS/SCREENS AND SHOWER HEADS

Always fit a door or screen unless fitting as part of a wet room - See fig 1 and refer to section 12

Never fit a shower head at the open end of an enclosure - See fig(s) 2/3/6

When fitting a walk in front screen only, ensure that the screen is centrally located and approximately 3/4 the length of the tray - See fig 3

If fitting a side screen or the tray is adjacent to a wall, ensure that front screen is at least approximately 2/3 the length of tray - See fig 2 or 6

Always fit a front screen unless fitting as part of a wet room - See fig 5

Always fit full enclosures to 900x900 square and 900 quadrant trays - See fig 4/6

Fig 1 - No Panel/Enclosure

Fig 2 - Walk In - Front & Side Panel

Fig 3 - Walk In - Center Panel

Fig 4 - Square - Full Enclosure Only

Fig 5 - Two End Panels

Fig 6 - Walk In - Front Panel

Fig 7 - Door Enclosure

Fig 8 - Quadrant - Full Enclosure Only

Wall

Shower Head

Shower Door/Screen

FITTING INSTRUCTIONS - CONCRETE FLOOR

STANDARD FIT

FLUSH FIT

WET ROOM

CONTENTS

- *Important Information - See Below - Please Read First Prior To Installation
- Standard Fit 1 - 6
- Flush Fit 7 - 10
- Off The Floor Plinth 11
- Wet Room 12
- Doors/Screens And Shower Heads 13

STEPS

1 - STANDARD FIT - STEPS 1-6

Take care to avoid chipping on bottom edges/corners when moving the tray into position.

Placing the tray in position, mark the floor by drawing around the tray and mark out the center of the waste hole.

Move the tray to a safe location to prevent accidental damage.

2

Template supplied

It is recommended that a professional plumber completes the plumbing installation.

Cut out the concrete floor and ensure the hole is cut and kept to a minimum. Use the template supplied for guidance.

Plumb the waste and trap accordingly (see 'Template and Waste Guides').

3

Make sure the waste is protected by a cloth (or similar) to ensure no mortar falls into the waste trap.

Once the waste and outlet pipe are fitted, place the tray in position and ensure correct alignment.

Mix sand and cement (5/1 ratio) and fill the entire hole leaving the waste in its correct location.

4

Prior to mixing sand and cement, sweep clean the area.

Mix sand and cement (5/1 ratio) adding anti-combustible agent, such as 'Solsim' and spread to fill entire marked area with approximately 10-15mm mortar screed.

Ensure that the whole area under the tray is fully covered by the mortar screed. Any unsupported area could lead to cracking.

5

24 HOURS DRYING TIME

Ensure to level the tray on all outer edges.

Apply a bead of silicone along the centre of each edge of the tray to be fitted against the walls.

Lay the tray in position, push against the wall and bed down onto the mortar screed. Ensure all of the base is supported by the cement. Level the tray from each edge.

Leave for 24 hours prior to next step.

6

It is recommended that a professional plumber completes the plumbing installation (see 6i - refer to 'Template and Waste Guides') provided.

The walls down to the tray, leaving a 5mm gap between the tray and the (see 6i).

Apply a bead of mould resistant silicone resistant between the floor and tray and along the back edge of the tray up to the bottom of the last tile (see 6ii).

Finally, fit your chosen flooring (as appropriate) and apply a bead of mould resistant silicone between the shower tray and your chosen floor (See 9 for guidance).

STANDARD FIT

FLUSH FIT

7 - FLUSH FIT - steps 7-10

Finely, install tray as per steps 1-4

Fix down marine ply ensuring it is the appropriate thickness so the tiling fits flush with the edge of the tray. Apply silicone between the marine ply and tray, also approximately 6" along any joint that meets the tray edges.

Finish tiling ensuring a flush finish with the shower tray. Ensure that waterproof adhesive and grouting are used. Do not grout between the shower tray and adjacent tiles.

9

Fill

Ensure all edges are silicone properly.

Apply a bead of mould resistant silicone between the shower tray and adjacent tiles.

10

Waste cover is designed to be easily removed allowing access to waste trap.

Place the waste cover into the tray (do not use any adhesive).

Fit shower door/screen and shower head as per diagram 13.

*IMPORTANT INFORMATION - PLEASE READ FIRST

- This tray is handmade from natural materials. It is possible it may not be perfectly flat (approx 4mm tolerance) or may vary in thickness.
- Check the product thoroughly prior to fitting. Unfortunately no claims for imperfections can be made once the tray has been installed.
- The tray must be fitted STRICTLY in accordance with the installation instructions. Failure to fit and maintain the product as per the instructions will invalidate the guarantee and possibly lead to long term damage.
- The use of any materials other than those specified in the fitting instructions could result in the shower tray to fail, invalidating the guarantee.
- Fit ONLY the waste unit supplied. Fitting any other waste unit may lead to a reduction in water flow.
- This shower tray and waste unit combine to achieve European EN124 approval for water drainage. They are designed to provide a water flow of over 20 litres per minute. Failure to fit the waste unit provided exactly in accordance with the fitting instructions (see enclosed within the 'Information Pack') may reduce water flow and create drainage problems.
- For cleaning information refer to the 'Cleaning and Maintenance' section of the accompanying 'Information Pack'.
- If this product has been fitted as part of a wet room, see 12. If it has been fitted as part of an enclosure, see 13 for help with the location of the shower head and glass screens.
- Do not allow any items such as tissues, sponges etc., to obstruct the waste cover during showering. This could lead to overflowing.

11 - OFF THE FLOOR PLINTH

For more problematic plumbing situations, a comprehensive 'Fitting Kit' is available. This raises the tray off of the floor to provide a simpler plumbing solution. For further details, see your retailer or installer.

12 - WET ROOM APPLICATION

Instructions 1-11 cover all showering applications which include a shower door or screen.

If your tray has been purchased to be fitted as part of a wet room area with no surrounding glass, the following instructions apply:

Fit your tray in accordance with the 'Standard Fit' instructions (above steps 1-6) and in conjunction, incorporate a proprietary wet room tanking system.

See your retailer/installer for full details.

13 - DOORS/SCREENS AND SHOWER HEADS

Always fit a door or screen unless fitting as part of a wet room - See fig 1 and refer to section 12

Never fit a shower head at the open end of an enclosure - See fig(s) 2/3/6

When fitting a walk in front screen only, ensure that the screen is centrally located and approximately 3/4 the length of the tray - See fig 3

If fitting a side screen or the tray is adjacent to a wall, ensure that front screen is at least approximately 2/3 the length of tray - See fig 2 or 6

Always fit a front screen unless fitting as part of a wet room - See fig 5

Always fit full enclosures to 900x900 square and 900 quadrant trays - See fig 4/8

Fig 1 - No Panel/Enclosure

Fig 2 - Walk In - Front & Side Panel

Fig 3 - Walk In - Center Panel

Fig 4 - Square - Full Enclosure Only

Fig 5 - Two End Panels

Fig 6 - Walk In - Front Panel

Fig 7 - Door Enclosure

Fig 8 - Quadrant - Full Enclosure Only

Legend: Wall (blue line), Shower Head (blue circle), Shower Door/Screen (blue rectangle)

TEMPLATE AND WASTE GUIDES

TEMPLATE INSTRUCTIONS

Please read the important information below first, and follow the full 'Fitting Instructions' supplied in the 'Information Pack'.

1. Place the shower tray in the required position on the floor
2. Mark out the center point of the tray waste hole with a cross '+'
3. Move the tray to a safe location to prevent accidental damage
4. Cut out the template (right)
5. Position the template using the cross mark to align with the cross already marked on the floor (see enclosed 'Fitting Instructions' - 1)
6. Ensure the position of the template aligns correctly with the plumbing waste outlet
7. With a pencil, mark around the template onto the floor
8. Cut out the marked floor area with the correct tools
9. Ensure that the hole is not cut oversized

IMPORTANT INFORMATION

General

Use the template guide **ONLY** to cut out the waste area. This will ensure minimum stress to the shower tray. Failing to do so, may weaken the shower tray and cracking may appear.

Wood Floor

It is essential that all floor boards are properly secured, ensuring no movement or flex. Any joins in floor boards that are not supported by a joist must be supported by a separate noggin. Any floor boards that flex between joists **MUST** also be supported by additional noggin(s).

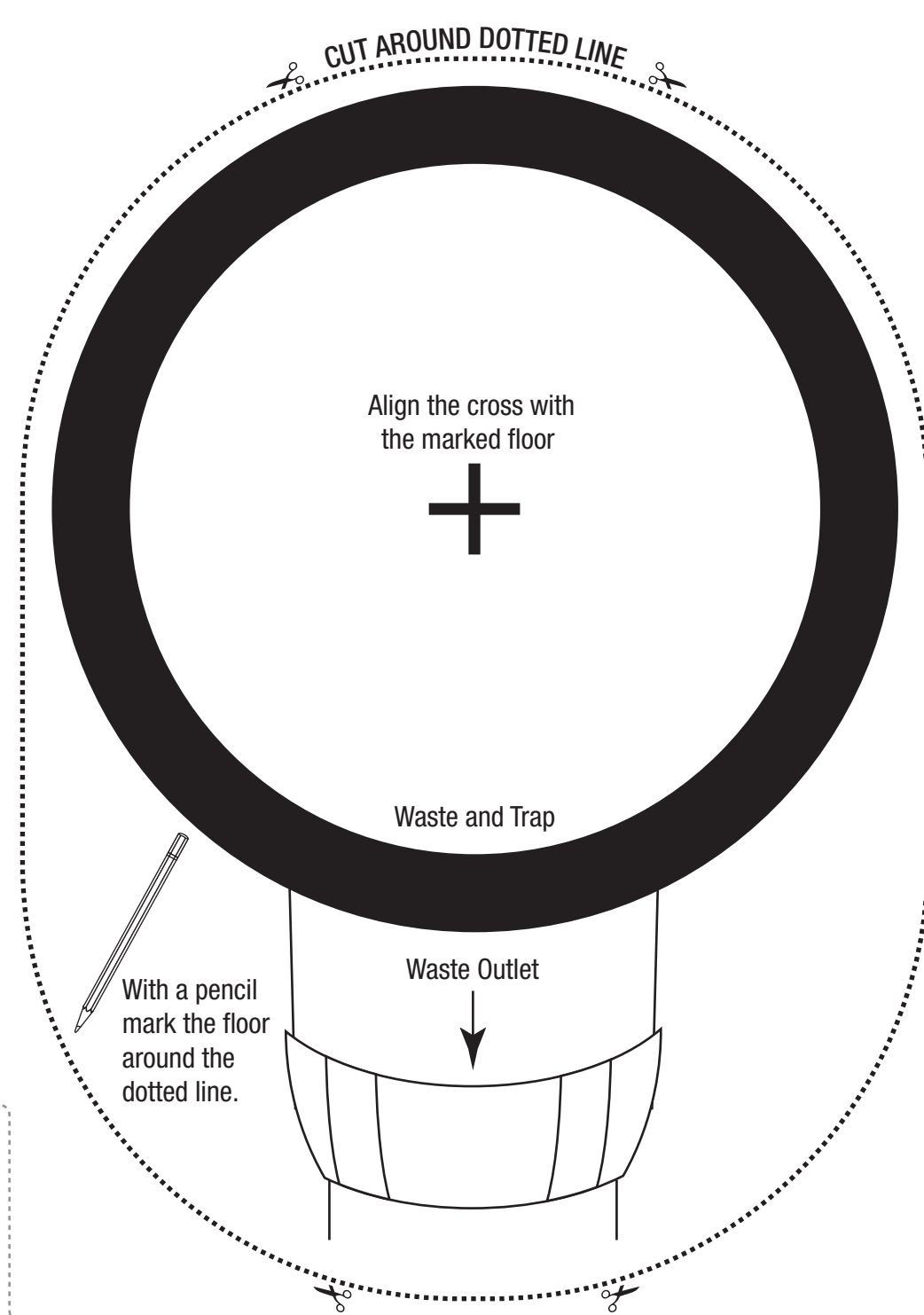
Ensure that floorboards around the waste hole are fully supported by noggins. There must be no floor movement around the cut hole.

See full 'Fitting Instructions' for detailed drawings.

Waste

DO NOT OVER TIGHTEN THE PLASTIC WASTE FLANGE.

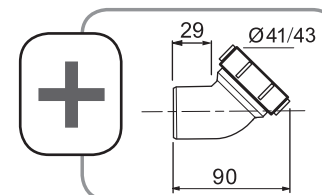
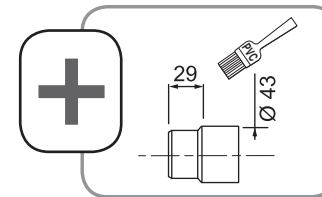
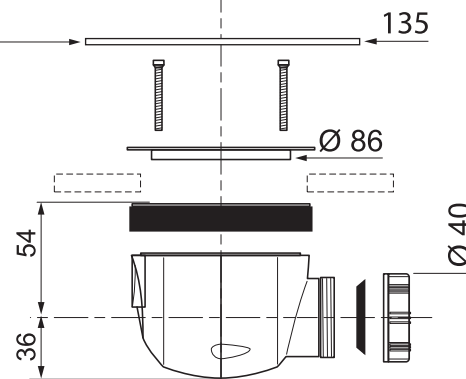
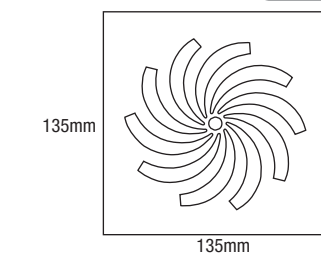
Only turn screws until flange is secure. Over tightening the screws may cause damage to the shower tray.



After using the 'Template Instructions' (above), please cut out these 'Waste Unit Instructions' and keep with the information pack

WASTE UNIT INSTRUCTIONS - TM TWISTO Ø90

- Only use the waste unit provided. Fitting an alternative waste unit will compromise water flow.
- It is strongly recommended that a qualified plumber completes the waste unit installation and final plumbing
- To locate waste unit, apply a seal of silicone (if required) beneath the tray waste hole and the rubber seal. Apply plastic flange and locate onto waste unit with the securing screws supplied.
- To join waste pipe to waste unit, use either a compression fitting or solvent weld fitting as preferred (both supplied). **Please note:** If using solvent weld, test for leakage and seal by pouring approximately 2 litres of water into waste unit prior to final fitting.
- It is essential that the fall angle of the waste pipe is maximised. Fall must be a **MINIMUM** of 2% to ensure adequate water flow.



For trouble shooting and Q&A's, please visit www.wirquin.com